


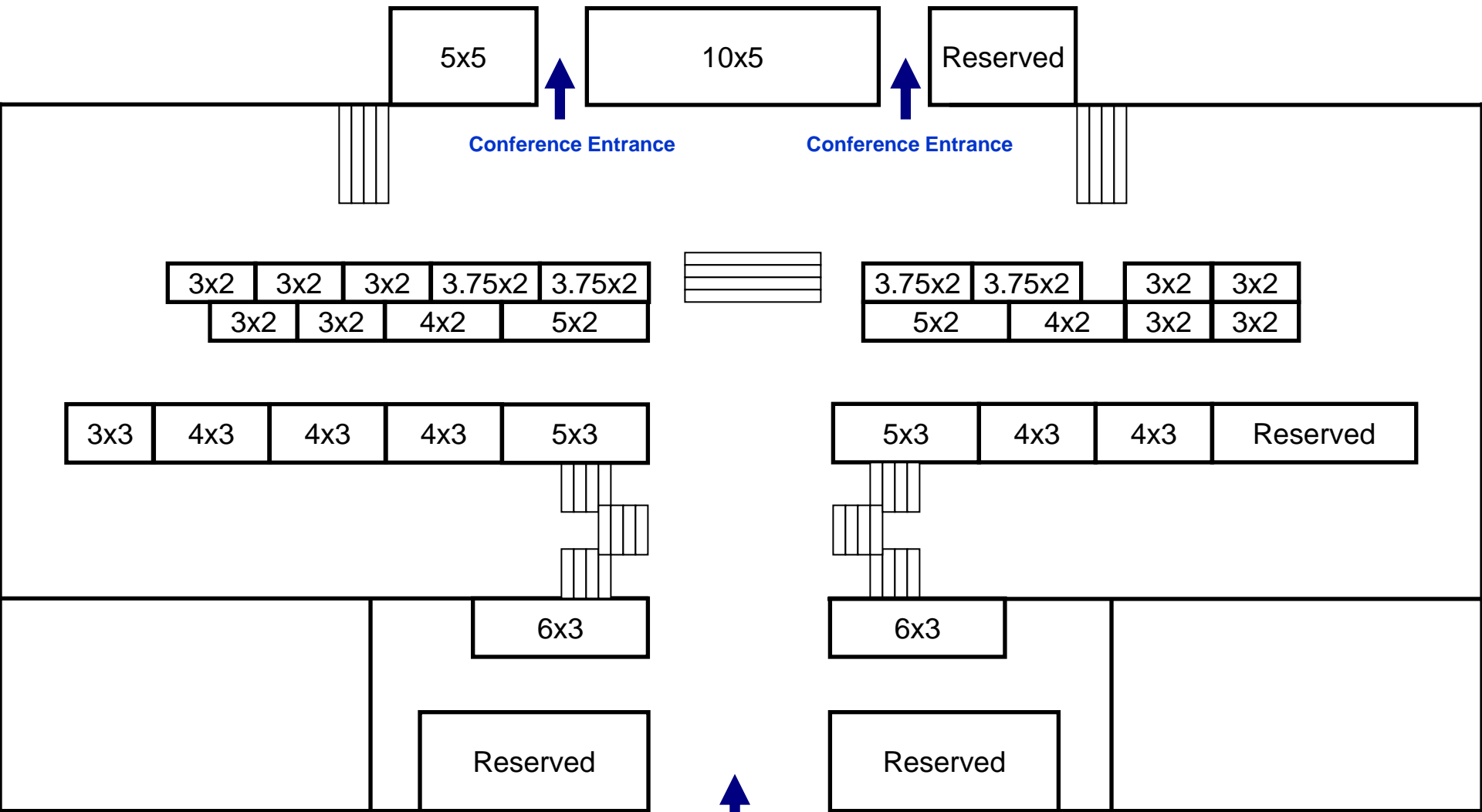


Dia-EXPO 2008 (13-14 Nov.)

Booths Classification

Razi International Conference Center

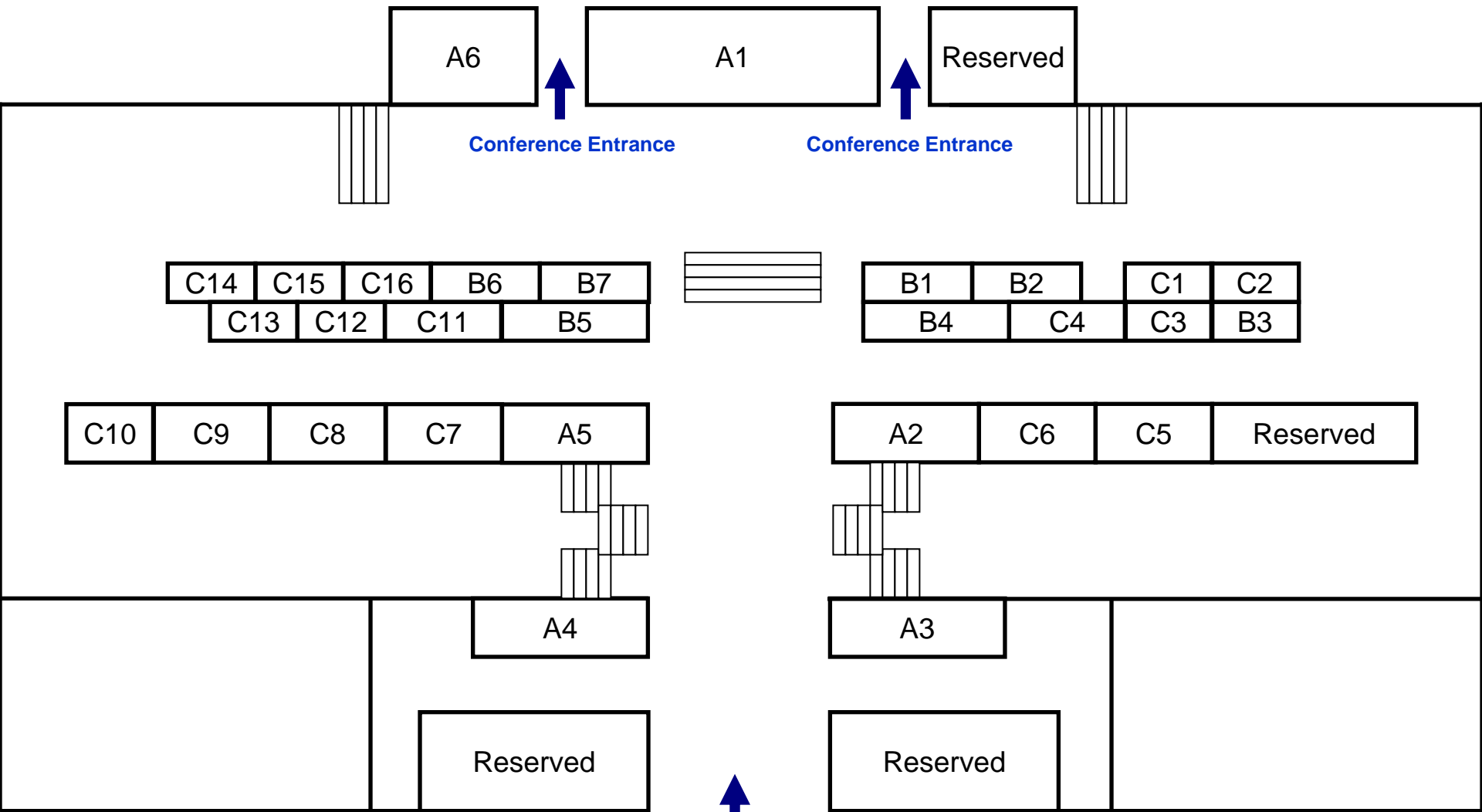
-  **Class A**
-  **Class B**
-  **Class C**



Dia-EXPO 2008 (13-14 Nov.)

Booths Area Definition

Razi International Conference Center



Dia-EXPO 2008 (13-14 Nov.)

Booths Marks

Razi International Conference Center